

# CONGRATULATIONS ON YOUR PURCHASE OF THE FINEST NOTCHING TOOL AVAILABLE

PLEASE READ CAREFULLY BEFORE USE

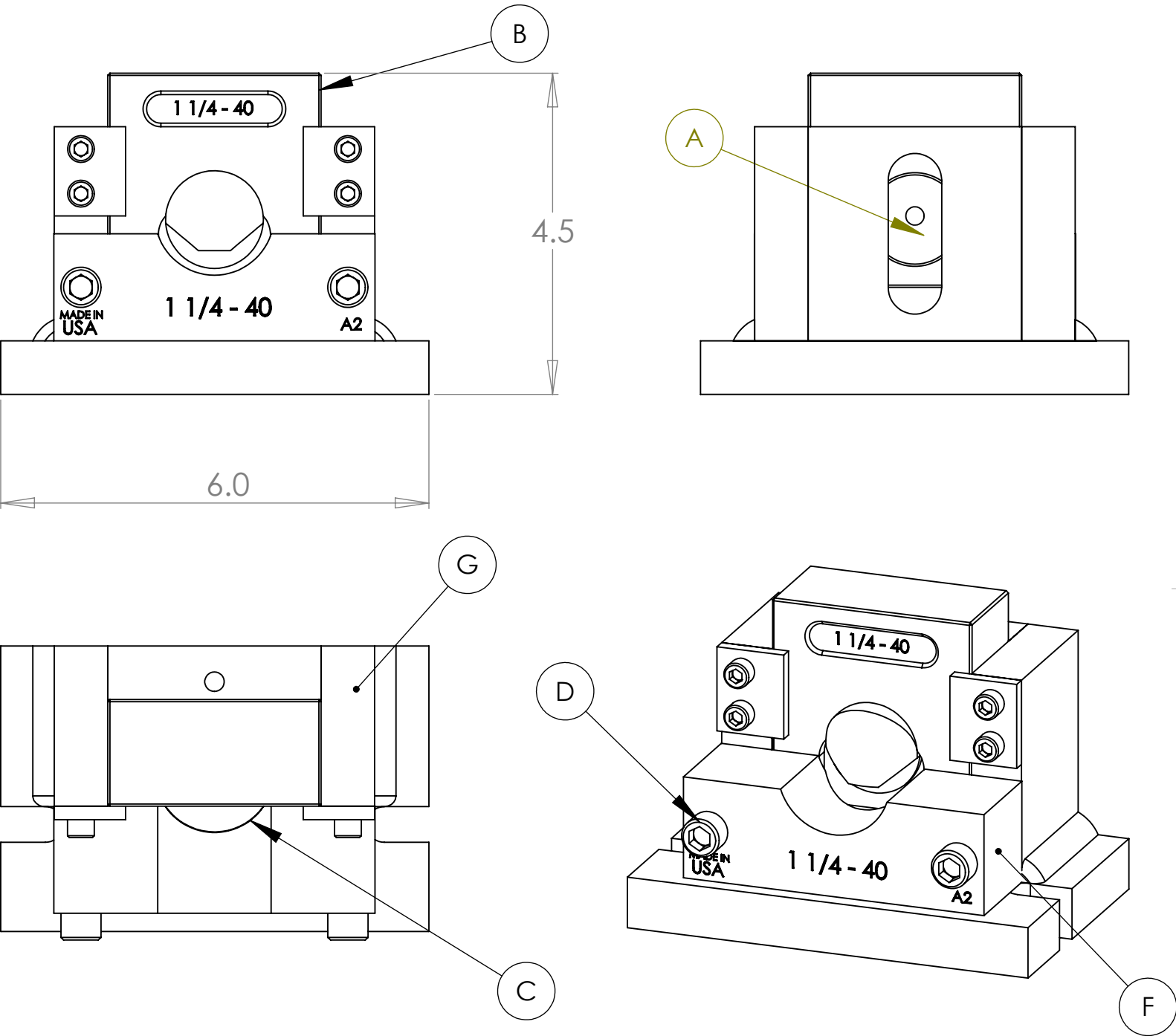
## 1) KEEP YOUR TOOL CLEAN

WHenever dirt or metal chips accumulate, please remove the screw (A) located in the back of the punch. Remove the punch holder (B) and clean the inside of the housing (G). Springs must be cleaned as well.

## 2) CHECK THE ALIGNMENT OF THE TOOLING

BEFORE FINAL ASSEMBLY OF THE TOOL, ALWAYS CHECK THE ALIGNMENT - DIE CLEARANCE (C). PLACE PUNCH HOLDER (B) BACK IN HOUSING WITHOUT SPRINGS AND MAKE SURE CLEARANCE (C) IS CONSISTENT AROUND ENTIRE RADIUS. IF CLEARANCE IS UNACCEPTABLE, LOOSEN BOLTS (D) AND ADJUST DIE SECTION (F) ACCORDINGLY. ONCE CLEARANCE IS ACCEPTABLE, RE-TIGHTEN BOLTS (D). APPLY GREASE TO INSIDE OF HOUSING AND RE-INSERT PUNCH HOLDER (B) WITH SPRINGS INTO HOUSING (G). INSERT SCREW (A) INTO PUNCH.

**CAUTION!**  
ALWAYS USE ALL  
GUARDS ON MACHINES  
AND USE SAFETY GLASSES.  
NEVER REMOVE RETAINING PIN  
WHICH HOLDS PUNCH IN  
PUNCH HOLDER



[www.punchtools.com/notch](http://www.punchtools.com/notch)



TEL: 604.521.6444  
TOLL FREE: 1.800.668.4996  
orders@punchtools.com

#11 - 211 Schoolhouse Street, Coquitlam, BC Canada V3K 4X9

# INSTRUCTIONS